

# Load carrying

## GENERAL INFORMATION

### Weights and load capacities

**Note:** It is the driver's responsibility to ensure that the maximum weights are not exceeded, and that the load is distributed correctly within the vehicle.

Information and values for the maximum weights can be found in the Weights section. See **WEIGHTS** (page 208).

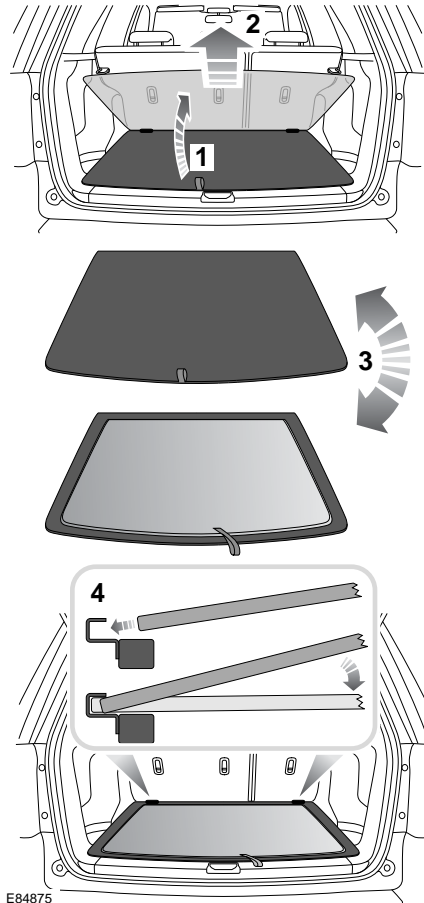
### Loadspace floor

#### WARNING



When removing or replacing the loadspace floor take care that your hands and fingers are placed so that they do not become trapped between the floor and vehicle. Ensure that children are kept at a safe distance to avoid accidental injury.

The loadspace floor is reversible to prevent damage/staining of the carpet when transporting muddy boots or wet dogs for example.



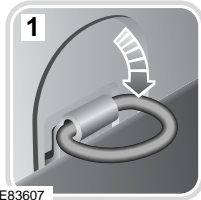
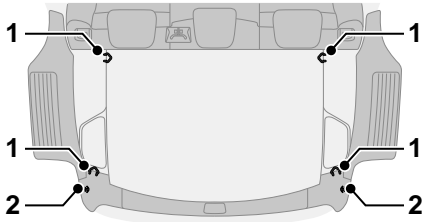
E84875

To reverse the loadspace floor :-

1. Raise the loadspace floor.
2. Pull the floor towards the rear of the vehicle, and remove it from the vehicle.
3. Turn the floor over so that the required surface is uppermost.
4. Insert the forward edge of the floor into the retaining channel, and lower the floor into position.

# Load carrying

## LUGGAGE ANCHOR POINTS



E83607



### WARNINGS



All items carried in the luggage area should be properly secured. Loose items can cause serious injury or death in the event of an accident or sudden manoeuvre.



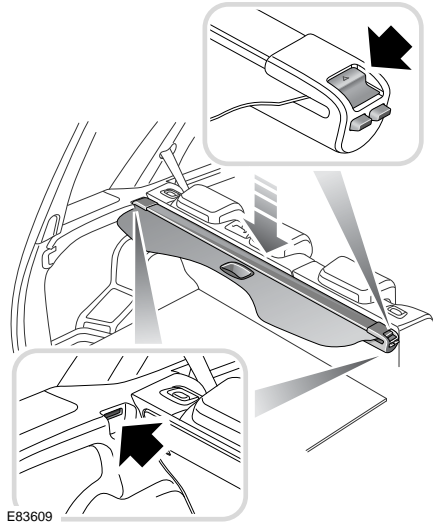
Do not use the bag hooks to secure heavy items. Items which are not properly secured can cause serious injury or death during an accident or sudden manoeuvre.

1. Load securing rings.
  - Four load securing rings are provided in the rear luggage area to assist in safely securing items carried.
2. Bag hooks.
  - A bag hook is provided on each side of the load area. These should be used to secure relatively light items such as shopping bags.

*Note: A range of approved luggage retention accessories are available from your Land Rover Dealer.*

## LUGGAGE COVERS

### Fitting the luggage cover



E83609

### WARNING



When fitting the luggage cover ensure that the location pegs on the left-hand side are fully engaged, and the release button on the right-hand side is fully home. Failure to do so may allow the luggage cover to move during an accident or sudden manoeuvre.

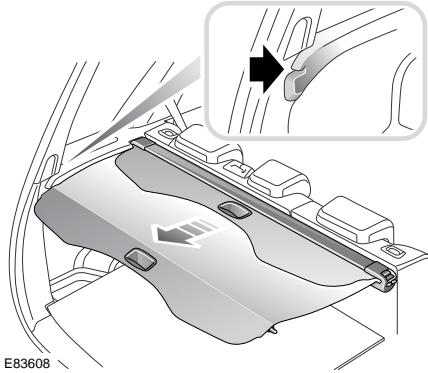
1. Insert the location peg on the left-hand end of the luggage cover into the slot.
2. Lower the right-hand end into position by pulling back the release button.
3. Ensure that when the cover is in position the release button returns to its engaged position.

# Load carrying

---

Reverse the installation procedure to remove the luggage cover.

## Operating the luggage cover



### WARNING



Never place objects on top of the luggage cover. During an accident or sudden manoeuvre loose objects can cause serious injury or death.

### CAUTIONS



When retracting the cover, ensure that no items are on top of the cover. Items left on top of the cover, paper or fabrics for example, may be drawn into the mechanism and cause it to jam.



If the cover is damaged in any way, it should not be used. The damaged area may prevent the cover from operating correctly.

1. Pull the luggage cover blind towards the rear of the vehicle.
2. Engage the end pegs into the recesses provided in the luggage space side trims.